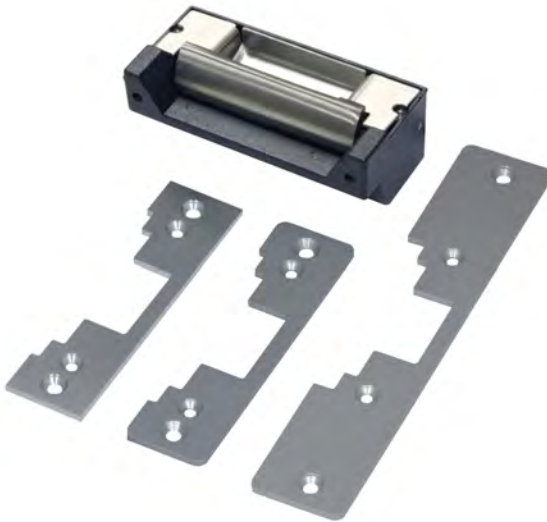


SECO-LARM

SD-996C-NUQ Universal Door Strike

Now with trim plate
See page 4

Manual



- UL Listed
- Field selectable for fail-safe or fail-secure
- Dual-voltage 12/24 VDC
- Includes 3 faceplates for nearly any type of door:
 - ✓ Aluminum frames
 - ✓ Hollow metal door frames
 - ✓ Wood door frames
- Mounting tabs included for mounting to hollow aluminum doors
- Reversible non-handed design fits either right-hand or left-hand doors
- Low profile: Strike is only 1 $\frac{1}{4}$ " deep for use with aluminum frames
- Optional lip-extension brackets available:
 - SD-995C-LE25 1" Lip Extension
 - SD-995C-LE50 2" Lip Extension

SECO-LARM Universal Door Strike

Table of Contents:

Introduction.....	2	Using Mounting Tabs.....	4
Specifications.....	2	Selecting Fail-Secure or Fail-Safe.....	4
Parts List.....	2	Aluminum Door Frame Installation.....	5
Installation.....	2	Metal Door Frame Installation.....	6
Measuring the Latch & Center Lines.....	3	Wood Door Frame Installation.....	7
Mounting the Template.....	3	Wiring Diagram.....	8
Preparing the Door Frame.....	4	Troubleshooting.....	8
Mounting the Trim Plate.....	4		

Introduction:

The SECO-LARM **SD-996C-NUQ** Universal Door Strike can be used with virtually any cylindrical-locking system and can be configured for use in wood, aluminum, or metal doors. Included are three different ANSI-sized faceplates that can be easily installed on the strike to match the door frame type. The strike is easily field-configurable for fail-safe or fail-secure applications.

Specifications:

Operating voltage	12 or 24 VDC \pm 15%	
Current draw	12VDC	280mA
	24VDC	140mA
Operating temp	14° ~113° F (-10° ~45° C)	
Operating humidity	85% \pm 15%	

Parts List:

Door Strike.....	x 1	Mounting tabs.....	x 2
Mounting Plates.....	x 3	Wood screws.....	x 2
SD-996SS-11Q - For metal door frames		Machine screws.....	x 4
SD-996RA-11Q - For hollow aluminum door frames		Machine screws (narrow).....	x 2
SD-996RA-31Q - For wood door frames		Security screws.....	x 2
Mounting template.....	x 1	Black anchor nuts.....	x 2
Electrical connectors.....	x 2	Security Allen wrench.....	x 1
Trim plate.....	x 1		
Trim plate screws.....	x 2		

Note: Not all parts will be used in every installation.

Installation:

1. Select the type of faceplate that will be used. See Sample Applications, pages 5-7.
If the door is pre-cut for a strike, skip to step 6.
2. Measure and mark the door latch line and the center line of the door. See Figure 1, page 3.
3. Apply the included stick-on template to the door frame. See Figure 2, page 3.
4. Prepare the door frame for installation and mount trim plate if needed. See Figures 3/4, page 4.
5. If the door frame material is unsuitable for mounting the strike directly, use the included mounting tabs and small black anchor nuts for installation. This is recommended for aluminum door frames. See Figure 5, page 4.
6. Program for either fail-safe or fail-secure operation. See Figure 6, page 4.
7. Connect to a keypad or exit device. See Figure 7, page 8.

Figure 1: Measuring the Latch Line and Center Line

1. Measure the center line of the door. This is shown as "Y" on the diagram to the left.
2. Measure the distance from the door latch to the edge of the door frame. This is the door latch line. This is shown as "X" on the diagrams below.

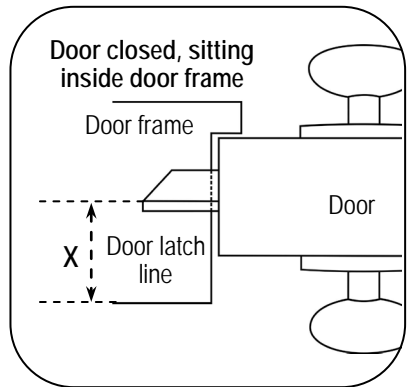
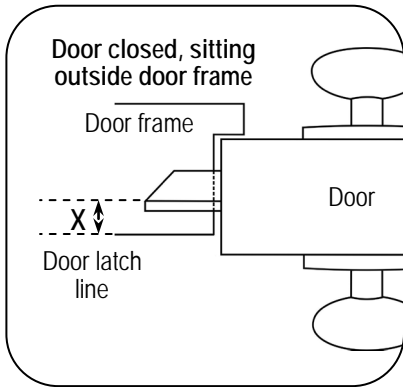
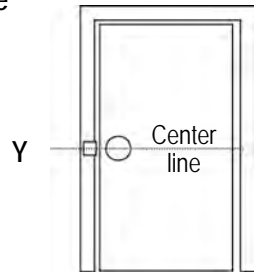


Figure 2: Mounting the Template

Note: The electric strike must be installed in such a way and in such a location as not to impair the operation of any emergency exit and panic-mounted hardware on the door.

1. Measure distance "X" from the side of the door frame, and distance "Y" from the top of the door frame. Use a pencil to mark the exact spot where the two lines intersect.
2. Carefully peel off the short, thin tab in the center of the stick-on template. When placed against the frame, this opening in the template will easily line up with the X-Y mark.
3. Peel the template from the backing, and carefully apply it to the door frame.

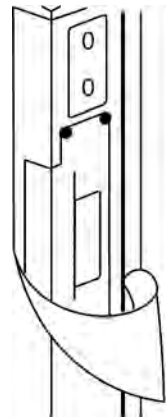
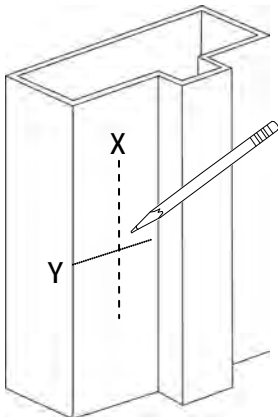


Figure 3: Preparing the Door Frame

Using the stick-on template as a guide:

1. Drill holes for mounting the strike, and cut a hole for the face-plate size being used. It is recommended to cut the hole slightly smaller than necessary.
2. Use a file to finish the shaping of the frame. This will improve the fit and finish of the installation.

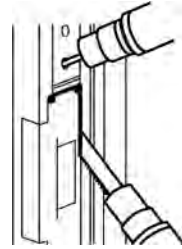
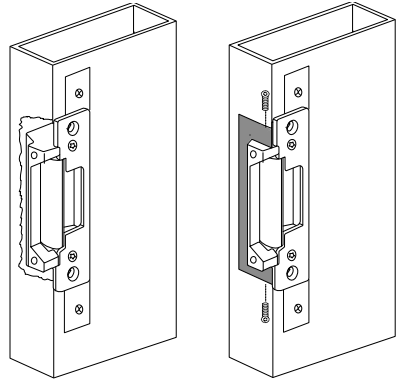


Figure 4: Mounting the Trim Plate

1. If the hole cut for the faceplate is too large or is jagged, the trim plate can be mounted over the hole to improve the appearance of the installation.
2. Screw the trim plate into the mounting holes at the top and bottom of the door strike using the included trim plate screws.

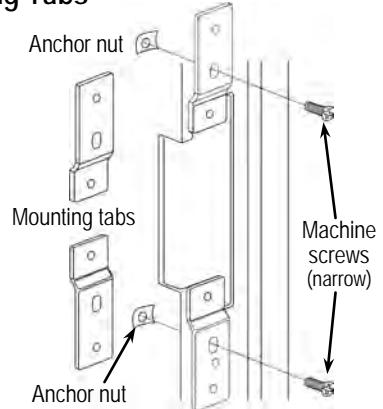


Note: Trim plate is optional and may not be required in all installations. Only use the trim plate to cover any gaps in the door frame.

Figure 5: Mounting the Strike Using Mounting Tabs

To mount the strike where the hollow door frame material is unsuitable for mounting, do the following:

1. Punch or drill holes according to the template for installation of the mounting tabs, and the anchor nuts that reinforce them.
2. When installing, do not over-tighten the screws as small adjustments may be required to secure a snug fit for the door strike.



Note: This is commonly done when retrofitting door frames.

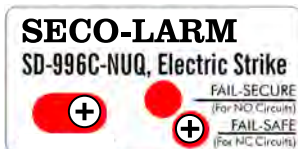
Figure 6: Selecting Fail-Secure or Fail-Safe Operation

1. Loosen and move the locking screw.
2. Loosen the sliding screw. Put it in the desired setting and retighten both screws.

Factory default: Fail-safe

Fail Safe:

Fail Secure:



Locking screw

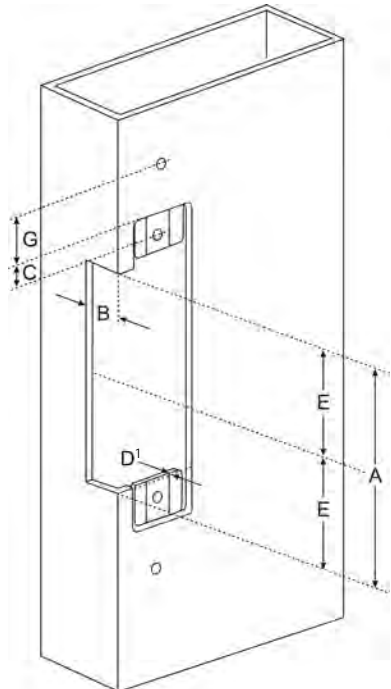
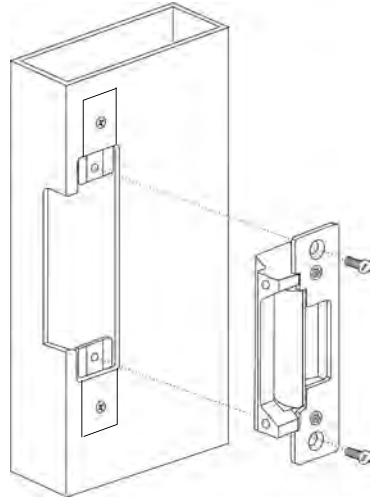
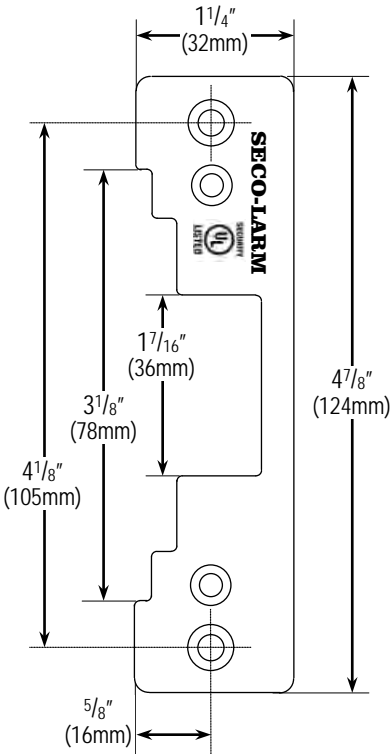
Sliding screw



Aluminum Door Frame Installation

For installation on an aluminum door frame, it is recommended to use the short brushed aluminum SD-996RA-11Q faceplate with the mounting tabs shown in Figure 5, page 4:

SD-996RA-11Q



Measurement Key:

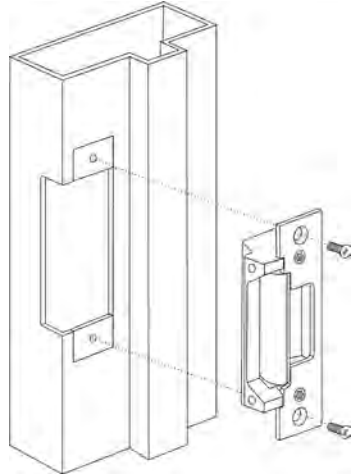
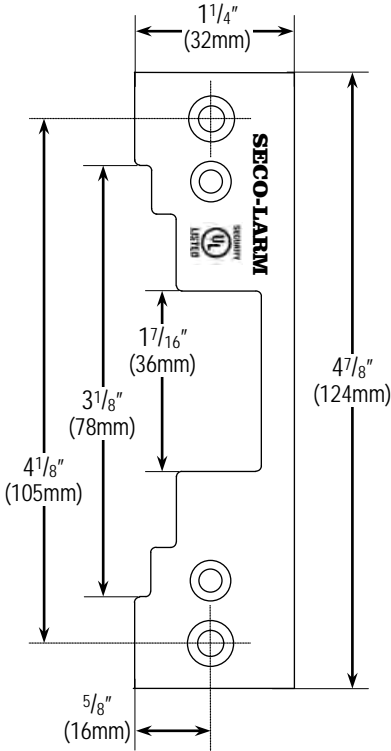
A	3 1/8"	78mm
B	5/8"	17mm
C	3/8"	9mm
D¹	1/8"	3mm
E	1 17/32"	39mm
G	1"	25mm

¹ Refers to the thickness of the faceplate.

Metal Door Frame Installation

For installation on a hollow metal door frame, it is recommended to use the short steel SD-996SS-11Q faceplate:

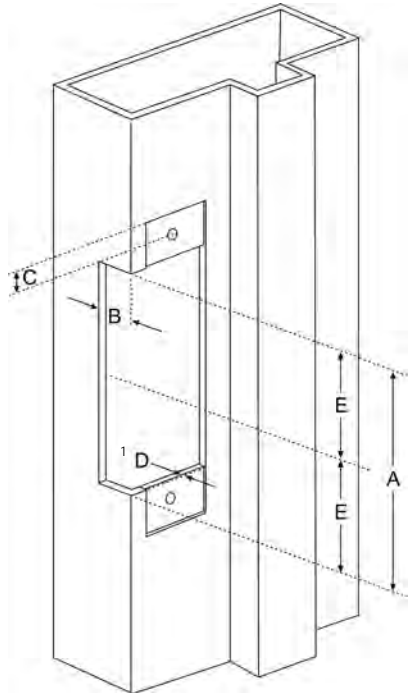
SD-996SS-11Q



Note: If it is necessary to cut a hole in the frame, mounting tabs may be required to strengthen the installation. See page 4 for more information.

Measurement Key:

A	3 1/8"	78mm
B	5/8"	17mm
C	3/8"	9mm
D ¹	1/8"	3mm
E	1 17/32"	39mm

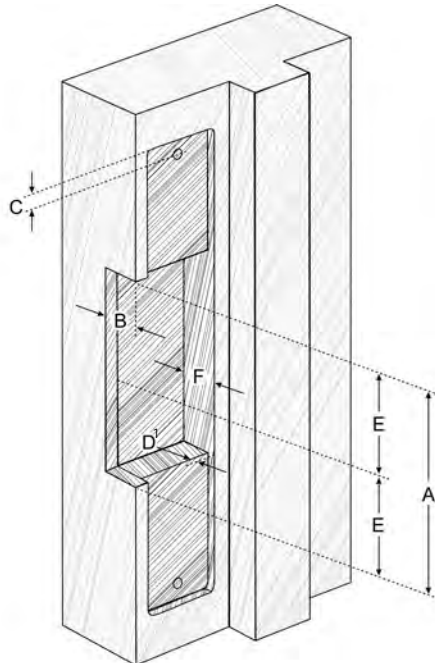
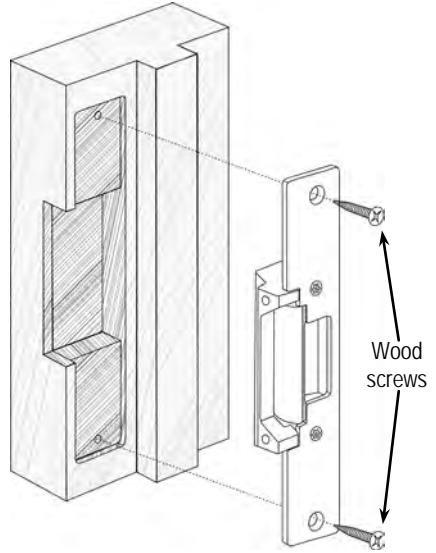
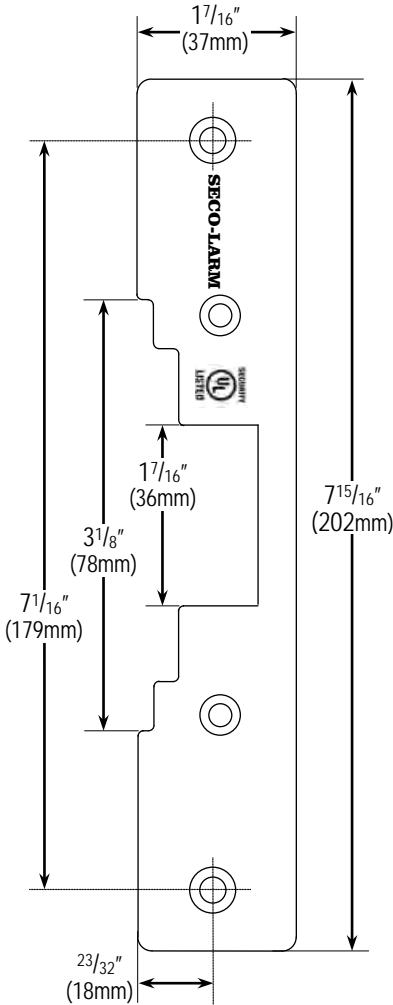


¹ Refers to the thickness of the faceplate.

Wood Door Frame Installation

For installation on a wooden door frame, it is recommended to use the long brushed aluminum SD-996RA-31Q faceplate:

SD-996RA-31Q



Measurement Key:

A	3 1/8"	78mm
B	5/8"	17mm
C	7/16"	11mm
D¹	1/8"	3mm
E	1 17/32"	39mm
F	1 5/16"	33mm

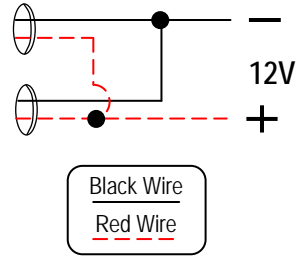
¹ Refers to the thickness of the faceplate.

SECO-LARM Universal Door Strike

Figure 7: Wiring diagram

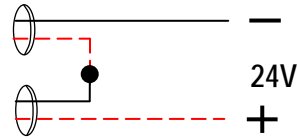
For 12VDC operation:

1. Connect both red wires together, and connect both black wires together in *parallel*.
2. Connect the black wires to — and the red wires to + .



For 24VDC operation:

1. Connect one red wire together with one black wire in *series*.
2. Connect the remaining black wire to — and the remaining red wire to + .



Troubleshooting:

Electric strike does not activate

- Dismount the strike and check that the four wires are connected properly.
- Ensure the wires are connected to a 12 or 24VDC source.
- Use a multimeter to test that the strike is receiving the proper voltage and amperage. If it is not, it may be necessary to use heavier gauge wires, or increase the output of the power supply.
- Make sure the activation device (keypad or push-button switch) is working properly.

Door does not open when the electric strike is activated

- Check that the door latch is operating properly, and replace if necessary.
- The position of the electric strike may need to be adjusted by moving it or adding washers or shims.

Strike makes a buzzing sound

- Use DC power supply instead of AC power.

LIMITED WARRANTY: This SECO-LARM product is warranted against defects in material and workmanship while used in normal service for three (3) years from the date of sale to the original customer. SECO-LARM's obligation is limited to the repair or replacement of any defective part if the unit is returned, transportation prepaid, to SECO-LARM. This Warranty is void if damage is caused by or attributed to acts of God, physical or electrical misuse or abuse, neglect, repair or alteration, improper or abnormal usage, or faulty installation, or if for any other reason SECO-LARM determines that such equipment is not operating properly as a result of causes other than defects in material and workmanship. The sole obligation of SECO-LARM and the purchaser's exclusive remedy, shall be limited to the replacement or repair only, at SECO-LARM's option. In no event shall SECO-LARM be liable for any special, collateral, incidental, or consequential personal or property damage of any kind to the purchaser or anyone else.

NOTICE: The information and specifications printed in this manual are current at the time of publication. However, the SECO-LARM policy is one of continual development and improvement. For this reason, SECO-LARM reserves the right to change specifications without notice. SECO-LARM is also not responsible for misprints or typographical errors. Trademarks are the property of SECO-LARM U.S.A., Inc. or their respective owners.

Copyright © 2014 SECO-LARM U.S.A., Inc. All rights reserved. This material may not be reproduced or copied, in whole or in part, without the written permission of SECO-LARM.

SECO-LARM® U.S.A., Inc.

16842 Millikan Avenue, Irvine, CA 92606

Website: www.seco-larm.com



Phone: (949) 261-2999 | (800) 662-0800

Email: sales@seco-larm.com

MISD-996C-NUQ_140801.docx